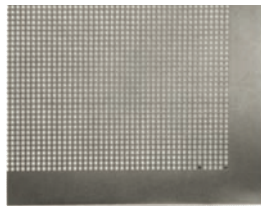


Leg leveling glides are standard on all tables

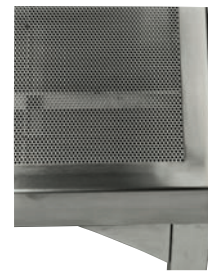


CAP64CT-One Piece Continuous Top
1/4 in., 3/8 in., 3/4 in. diameter holes

Optional adjustable table legs



CAP64PF-Perimeter Frame
1/8 in. diameter holes



Series 64

Cleanroom Tables, Perforated Stainless Steel

S
N
O
I
T
U
T
O
S

The Series 64CT "continuous-top" table tops are made from a single sheet of stainless steel that is perforated, forming a continuous, smooth top.

Holes are available in nominal sizes of 1/4 in. on 1/2 in. staggered centers, 3/8 in. on 1/2 in. straight centers, and 3/4 in. on 1 in. straight centers.

Special table reinforcing is installed, so that none of the holes are blocked, and the underside of the table can be easily cleaned.

The Series 64PF "perimeter frame" table tops are made with a piece of perforated stainless steel with 1/8 in. diameter holes, spot welded to a perimeter stainless steel frame. The underside is reinforced with 6 in. stainless steel "egg crate" support. These supports are installed so that none of the 1/8 in. diameter holes are completely covered.

Holes are available in 1/8 in. diameter on 3/16 in. staggered centers.

Leg braces are required on the 64PF.

Features

- ❖ Stainless steel support frame
- ❖ Ideal for vertical flow cleanroom applications
- ❖ Allows uniform airflow through the work surface and eliminate eddies and stagnant air pockets that are on or above the work surface of solid-top tables

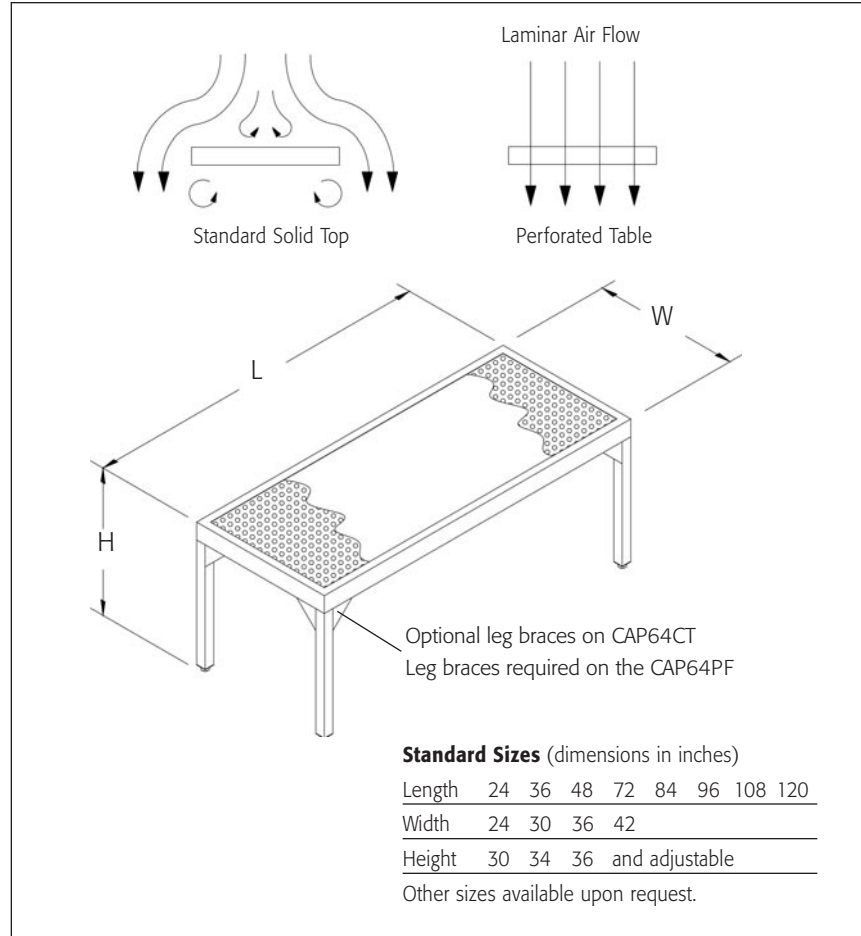
Series 64 Cleanroom Tables

Perforated stainless steel tables provide the optimum cleanroom work surface for vertical flow cleanroom operation. They allow uniform airflow through the work surface and eliminate eddies and stagnant air pockets that are on or above the work surface of solid-top tables.

Contaminants are a problem in any cleanroom, and solid-top tables can worsen the problem. A solid-top table blocks the laminar airflow and creates an envelope of stagnant air directly over the work surface. This stagnant air holds dirt and other airborne contaminants for long periods of time and creates localized areas of high particulate count. This contaminated air mixes and causes small particles to collide, forming larger, more harmful particles. A part or machine within this stagnant area has a greater risk of contamination than if it were located in a clean laminar flow airstream.

Perforated tables can prevent this type of problem from occurring, since they allow the laminar airflow to flow directly through the work surface. New clean air is constantly entering the control zone, surrounding and bathing the parts or machine with fresh clean air and carrying away any airborne contaminants that may have been formed. Contaminated air does not mix but flows through and from the critical work area. Even heavy particles which would normally settle out with standard tables are carried through the continuous vertical flowing airstream.

These tables are constructed of heavy-gage stainless steel. The top has 1/8 in. diameter holes with 40 percent open area. The perforated top is welded to an outer stainless steel support frame. A series of vertical reinforcing bars are under the perforated top, creating a strong,



smooth, flat work surface. The support frame and reinforcing bars are designed so that none of the 1/8 in. work surface holes are completely blocked, in order to prevent entrapment of particulates. The top assembly is supported by tubular stainless steel legs, each with a heavy-duty NSF-approved leg-leveling glide.

The tables have all-formed edges, with welds cleaned and the outer surfaces brushed with a straight line finish. Each table is thoroughly inspected to ensure quality.

Part Number Configuration

CAP type style - L x W x H - Hole Diameter

Example:

CAP64CT-72 x 30 x 30 - 3/8 is a 72 in. long x 30 in. wide x 30 in. high table with 3/8 in. diameter holes.

Options

- Passivation
- Electropolishing
- Adjustable legs
- Upper/lower shelves
- Casters
- Leg corner braces
- Diagonal leg bracing
- Foot rest
- Bull nose edge(s)
- Exhaust plenum under top

Guarantee

A written 1 year warranty is furnished with each cleanroom table.

Specifications subject to change. Please contact factory for details.